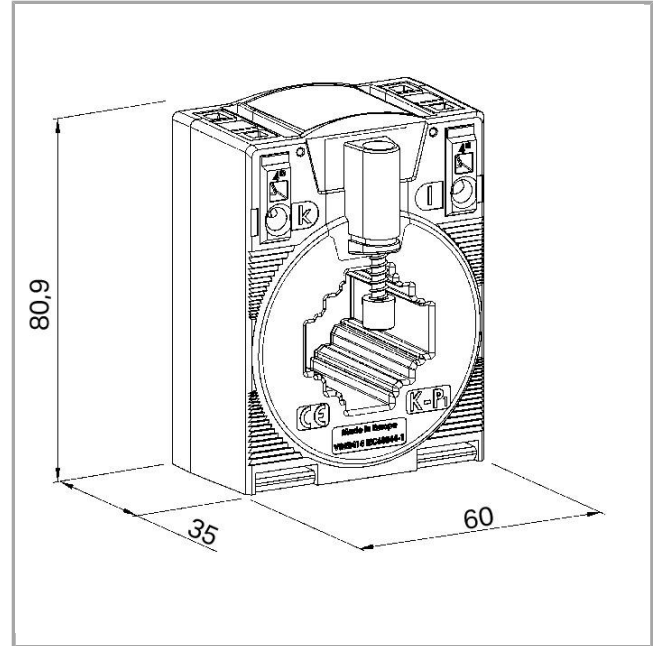


Data sheet | Item number: 855-301/060-101

Plug-in current transformer; Primary rated current: 60 A; Secondary rated current: 1 A; Rated power: 1.25 VA; Accuracy class: 1

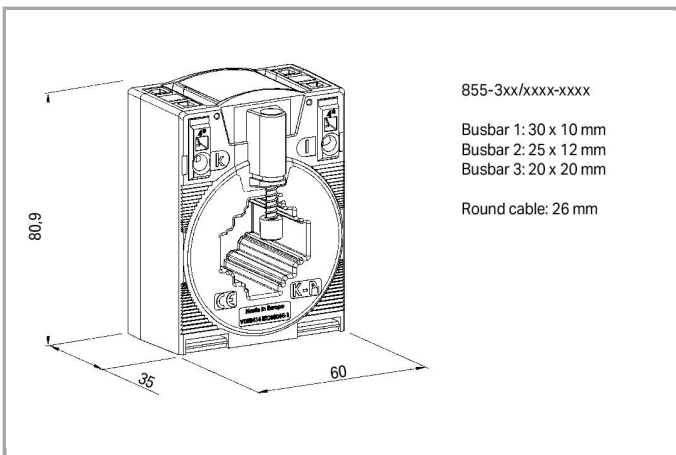


855-301/060-101



RoHS Compliant

[BOMcheck.net](https://www.bomcheck.net)



Item description

Short description:



The 855 Series Plug-In Current Transformers are inductive, single-conductor current transformers. Due to the measurement principle used, these current transformers are exclusively designed for AC network applications.

Features:

- Screwless CAGE CLAMP® connection technology
- Several mounting options available
- Vibration- and shock-resistant
- High mechanical retention forces
- High current-carrying capacity
- Continuous overload of 120 % the nominal primary current
- Low-voltage current transformer for operating voltages up to max. 1.2 kV
- Can be used in 690 V power networks
- UL recognized components

Data

Technical Data

Input – current transformer

| | |
|--|---|
| Primary rated current | 60 A |
| Rated continuous thermal current I_{cth} | $1.2 \times I_N$ |
| Rated short-time thermal current I_{th} | $60 \times I_N / 1 \text{ s (max. 100 kA / 1 s)}$ |
| Overcurrent limiting factor | FS5 / FS10 (type dependent, see type plate inscription) |
| Rated frequency | 50 ... 60 Hz |

Output – Current transformer

| | |
|-------------------------------------|-----------------------------------|
| Highest voltage for equipment U_m | $1.2 \text{ kV}_{rms} \text{ AC}$ |
| Secondary rated current | 1 A |
| Rated power S_r | 1.25 VA |

Measurement error

| | |
|----------------|---|
| Accuracy class | 1 |
|----------------|---|

Safety and protection:

| | |
|-------------------------------------|-----------------------------------|
| Highest voltage for equipment U_m | $\text{AC } 1.2 \text{ kV}_{rms}$ |
| Test voltage | AC 6 kV; 50 Hz; 1 min |

Connection data

| | |
|-----------------------|-------------|
| Connection technology | CAGE CLAMP® |
|-----------------------|-------------|



| | |
|-------------------------|--|
| Solid conductor | 0.08 ... 4 mm ² / 28 ... 12 AWG |
| Fine-stranded conductor | 0.08 ... 4 mm ² / 28 ... 12 AWG |
| Strip length | 9 ... 10 mm / 0.35 ... 0.39 inch |

Geometrical Data

| | |
|--------|----------------------|
| Width | 60 mm / 2.362 inch |
| Height | 80.9 mm / 3.185 inch |
| Depth | 52 mm / 2.047 inch |

Mechanical data

| | |
|------------------|--|
| Type of mounting | Current transformers (closed) Secured to mounting plate Mounting on carrier rail via carrier rail adapter Mounting on round cable |
|------------------|--|

Material Data

| | |
|------------------|-------|
| Insulation class | E |
| Weight | 230 g |

Environmental Requirements

| | |
|---|---------------|
| Surrounding air (operating) temperature | -5 ... 50 °C |
| Surrounding air (storage) temperature | -25 ... 70 °C |
| Max. operating altitude | 1000 m |

Standards and specifications


| | |
|--------------------------|-------------------------------------|
| Conformity marking | 1 |
| Standards/specifications | EN 61869-1; EN 61869-2; UL: E356480 |

Commercial data

| | |
|--------------------|---------------|
| Country of origin | DE |
| GTIN | 4050821616856 |
| Customs Tariff No. | 85043129900 |











Approvals / Certificates

UL-Approvals

| Logo | Approval | Additional Approval Text | Certificate name |
|--|--------------------------------------|--------------------------|------------------|
|  | UL Underwriters Laboratories Inc. | C51.13 | E356480 |

Compatible products

General accessories

| | | |
|--|--|----------------------|
|  | Item no.: 2007-8873 Compact terminal block; for current and voltage transformers | 2007-8873 |
|  | Item no.: 2007-8874 Compact terminal block; for current and voltage transformers | 2007-8874 |
|  | Item no.: 2007-8875 Compact terminal block; for current transformer circuit | 2007-8875 |
|  | Item no.: 2007-8876 Compact terminal block; for 3-phase current transformer circuit | 2007-8876 |
|  | Item no.: 2007-8877 Compact terminal block; for current transformer circuit | 2007-8877 |
|  | Item no.: 2857-570/024-001 3-Phase Power Measurement Module; 3x400/690 V/1 A; Modbus RTU; Digital output; Configuration via software; Supply voltage: 24 VDC | 2857-570 /024-001 |
|  | Item no.: 857-550 Current signal conditioner; Current input signal; Current and voltage output signal; Digital output; Configuration via software; Supply voltage: 24 VDC; 6 mm module width | 857-550 |
| tools | | |
|  | Item no.: 210-720 Operating tool with partially insulated shaft; Type 2, blade (3.5 x 0.5) mm | 210-720 |
| assembling | | |
|  | Item no.: 855-9900 Carrier rail adapter | 855-9900 |
|  | Item no.: 855-9910 Quick-mount kit | 855-9910 |

Downloads

Documentation

Instruction Leaflet

| | | |
|----------------------------------|---------------|----------|
| Bushing Type Current Transformer | pdf 1.5 MB | Download |
|----------------------------------|---------------|----------|

Additional Information

| | | | |
|--|---------|-----------------|----------|
| Disposal; Electrical and electronic equipment, Packaging | V 1.0.0 | pdf 265.8 kB | Download |
|--|---------|-----------------|----------|



Engineering-Software

Software for Interface-Products

| | | | |
|---|--------------|---------|----------|
| Interface Configuration Software FULL | 1.6.2.11 | exe | Download |
| The full setup, in addition to the WAGO Interface Configuration Software, includes the installation for the Microsoft .NET Framework. | Jan 14, 2019 | 97.5 MB | |

| | | | |
|---|--------------|---------|----------|
| Interface Configuration Software SMALL | 1.6.2.11 | exe | Download |
| The full setup only includes the WAGO Interface Configuration Software. | Jan 14, 2019 | 47.1 MB | |

CAD/CAE - Smart Data

CAD data

| | | | |
|-----------------------------|--|-----|----------|
| 3D Download 855-301/060-101 | | URL | Download |
|-----------------------------|--|-----|----------|

Subject to changes.
